

# NELSON™ HEAT TRACING SYSTEMS

## PLK SERIES LIGHT KIT

## INSTALLATION INSTRUCTIONS

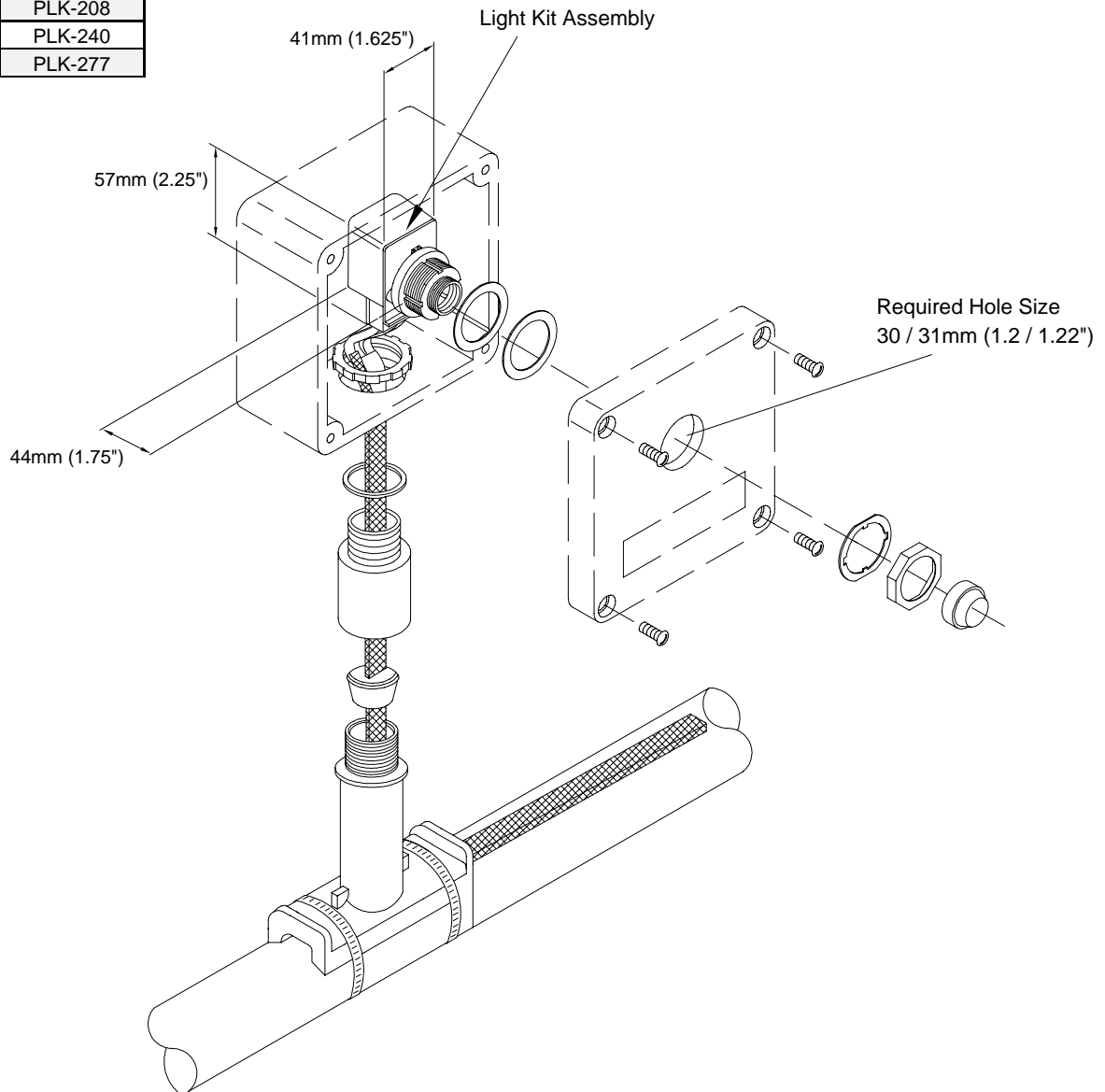
### DESCRIPTION

The PLK Series Light Kit is for use with all versions of Nelson LT, CLT, HLT and NC heater cables.

### KIT CONTENTS

- 1 Light Kit Assembly
- 1 Label

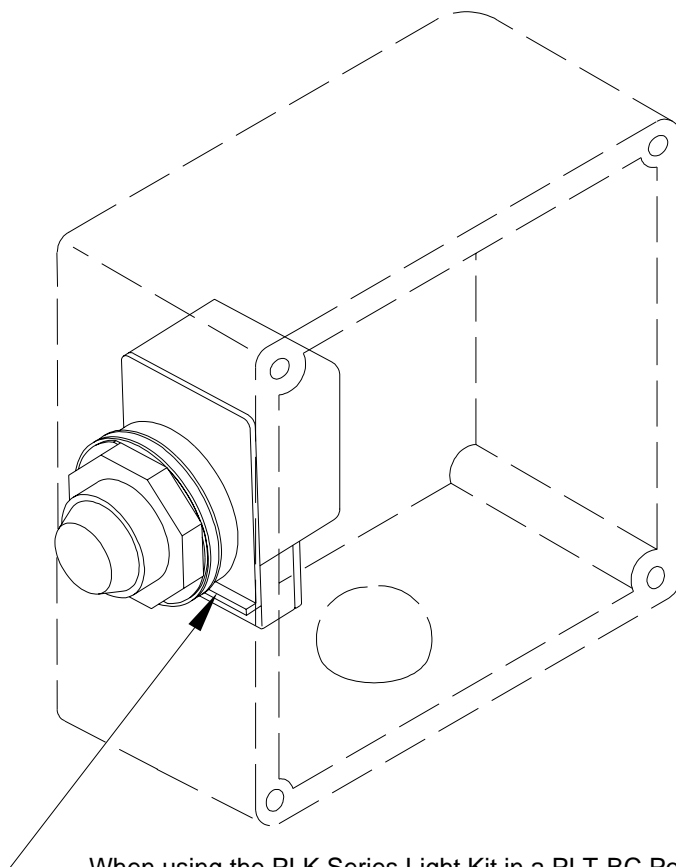
Voltage	Kit Cat. #
120V	PLK-120
208V	PLK-208
240V	PLK-240
277V	PLK-277



### Notes:

- *Dimensions shown above are to be used to verify mounting clearances when mounting the PLK Light Kit in different enclosures.*
- *If this light kit is used as a replacement for the PLT-L1&L2 and ALT-L1&L2 End of Circuit Light Kits, refer to sheet 2.*

**RETROFIT LIGHT KIT INSTALLATION**



When using the PLK Series Light Kit in a PLT-BC Power Termination Kit you must enlarge existing hole size to 30 / 31mm (1.2 / 1.22").  
***Refer to instruction sheet inside box.***

**Note:**

***The LT-L1 / LT-L2 End of Circuit Light Kit is replaced with the PLK Series Light Kit as shown.***

---

Nelson Heat Tracing Systems products are supplied with a limited warranty. Complete Terms and Conditions may be found on Nelson's website at [www.nelsonheaters.com](http://www.nelsonheaters.com).

---

P.O. BOX 726 ■ TULSA, OK 74101 ■ TEL 918-627-5530 ■ FAX 918-641-7336 ■ [www.nelsonheaters.com](http://www.nelsonheaters.com)